

Weight (L.B.S.)***

Pressure Class	Nom. Size Pipe	Weld Neck	Slip-On	Thd.	Lap Joint	Blind	Socket
900	1/2	7	6	6	6	4	6.25
	3/4	7	6	6	6	6	6.25
	1	8.5	7.5	7.5	7.5	9	8
	1 1/4	10	10	10	10	10	11
	1 1/2	14	14	14	14	14	15
	2	24	22	22	21	25	24
	2 1/2	36	36	36	29	35	38
	3	29	31	31	25	32	
	4	51	53	53	51	54	
	5	86	83	83	81	87	
	6	110	108	108	105	113	
	8	187	172	172	188	197	
	10	268	245	245	277	290	
	12	372	326	326	371	4113	
	14	562	380	380	397	494	
	16	6855	459	459	488	619	
18	924	647	647	670	880		
20	1164	792	792	868	1107		
24	2107	1480	1480	1659	2099		

All dimensions given in inches.

Dimensions & tolerances in accordance with ANSI B16.5. Carbon steel flanges mechanical properties and chemistry conform to ASTM A105.

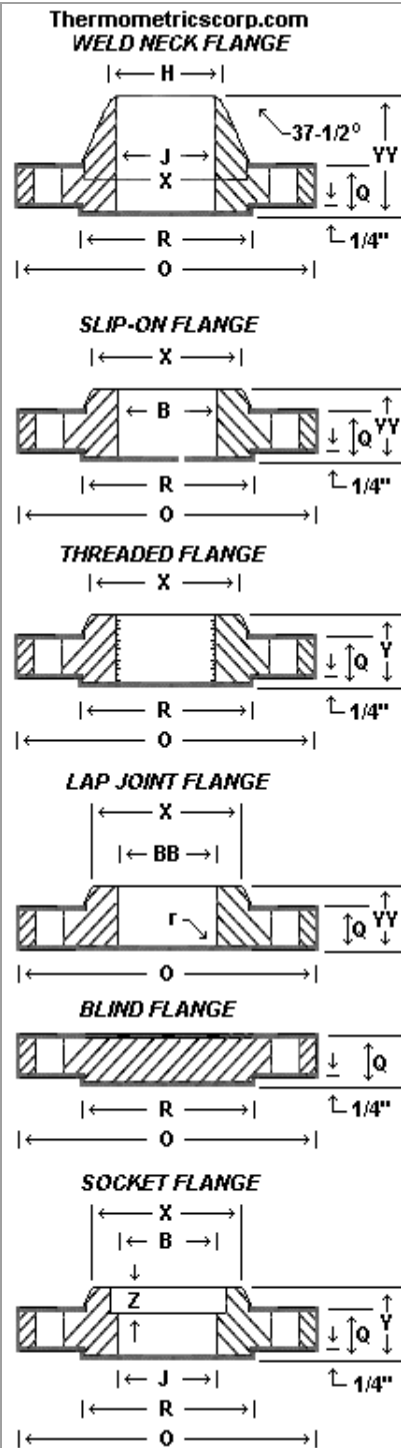
Flanges are furnished faced, drilled and spot faced or back faced.

*1/4 in. raised face included in dimensions Q, Y and YY.

**Bolt hole diameter 1/8 in. larger than bolt diameter.

***Weights listed are approximate values.

**** To be specified by the customer.



© 2006 This data is provided for reference use only. Refer to the latest version of the appropriate ASTM specification for the current dimensions and weights. No warranty is expressed or implied by use of this chart.